



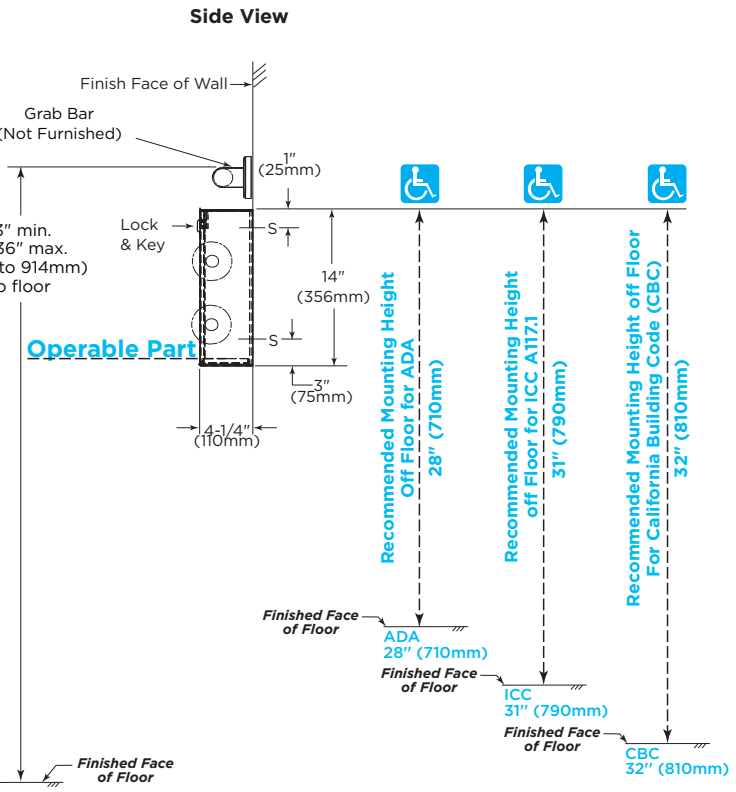
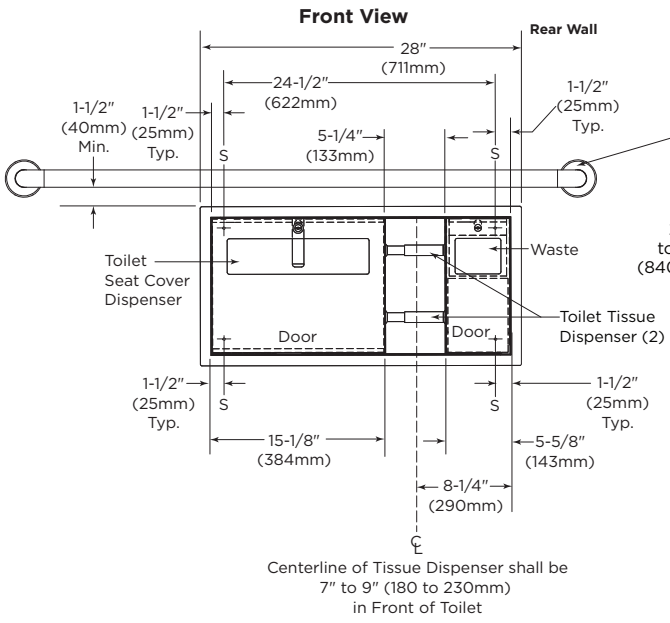
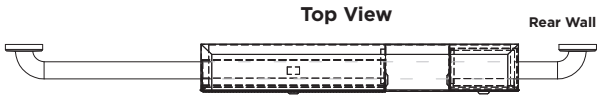
Technical Data

ClassicSeries® SURFACE-MOUNTED TOILET TISSUE, SEAT-COVER DISPENSER AND WASTE DISPOSAL - RIGHT SIDE OF TOILET WHILE SEATED

B-30929

Specify Finish Required

- Stainless Steel, Satin Finish
- Matte Black Finish, please use model no. B-30929.MBLK



ADA/ICC/CBC Installation Guidance

***Operable Part:** Bottom of outlet of toilet tissue dispenser

Minimum mounting height of Operable Part:

- ADA: 15" (380mm) above finished floor (AFF)
- ICC: 18" (457mm) above finished floor (AFF)
- CBC: 19" (482mm) above finished floor (AFF)

*For more information regarding operable parts, please refer to Bobrick Planning Guide for Accessible Restrooms, page 9.

continued . . .

MATERIALS:

Skirt— 18-8, Type-304, heavy-gauge stainless steel. Welded construction. Exposed surfaces have satin-finish or matte black as specified.

Flange — 18-8, Type-304, 22-gauge (0.8mm) stainless steel with satin-finish or matte black as specified. Drawn and beveled, one-piece, seamless construction.

Doors (2) — 18-8, Type-304, 18-gauge (1.2mm) stainless steel with satin-finish or matte black as specified. One-piece, seamless construction. Secured to cabinet with a full-length stainless steel piano-hinge. Equipped with a tumbler lock keyed like other Bobrick washroom accessories.

Toilet Tissue Dispensers (2) — 18-8, Type-304, 22-gauge (0.8mm) stainless steel with satin-finish or matte black as specified. Equipped with two chrome-plated plastic spindles, each with a heavy-duty internal spring.

Disposal Panel — 18-8, Type-304, 22-gauge (0.8mm) stainless steel with hemmed edges; exposed surface has satin-finish or matte black as specified. Panel equipped with graphic symbol for waste "drop here". Secured to door with a spring-loaded, full-length stainless steel piano-hinge.

Waste Receptacle — Leak-proof molded polyethylene. Removable for servicing. Capacity: 0.5-gal. (1.9-L).

OPERATION:

Doors unlock with key provided and swing open for servicing. Toilet seat-cover dispenser holds 500 single- or half-fold paper covers. Receptacle is removable for servicing. Unit holds two standard-core toilet tissue rolls up to 5-1/4" (135mm) diameter (1800 sheets).

Designer's Note: *It is recommended that one full toilet tissue roll remain wrapped until the other roll has been depleted to avoid wasting ends of both rolls.*

INSTALLATION:

Coordinate with mechanical engineer to avoid pipes, vents, and conduits in wall. Secure unit with #8 x 1-1/4" (4.2 x 30mm) sheet-metal screws (not furnished).

Designer's Notes:

1. Surface-mounted B-30929 mounts on right side of toilet (when seated on toilet).
2. For unit to mount on left side of toilet (when seated on toilet) see model B-30919.
3. For visual placement of models inside toilet compartment, refer to Technical Bulletin TB-92.

SPECIFICATION:

Surface-mounted toilet seat-cover dispenser, waste disposal panel, and toilet tissue dispenser shall be Type-304 stainless steel with all-welded construction; exposed surfaces shall have satin-finish or matte black as specified. Toilet tissue dispensers shall be ABS plastic. Flange shall be drawn and beveled, one-piece, seamless construction. Skirt shall be heavy-gauge satin finish stainless steel or matte black as specified. Doors shall be one-piece, seamless construction; secured to cabinet with a full-length stainless steel piano-hinge; and equipped with a tumbler lock keyed like other Bobrick washroom accessories. Toilet seat-cover dispenser holds 500 paper covers. Self-closing disposal panel shall be secured to door with a spring-loaded, full-length stainless steel piano-hinge, has hemmed edges. Disposal panel equipped with graphic symbol, "drop here". Disposal shall be furnished with a removable receptacle, leak-proof molded polyethylene, with a capacity of 0.5-gal. (1.9-L). Unit shall be equipped with two chrome-plated plastic spindles, each with a heavy-duty internal spring, that hold standard-core rolls up to 5-1/4" (135mm) diameter (1800 sheets).

Surface-Mounted Toilet Tissue, Seat-Cover Dispenser and Waste Disposal - Right Side of Toilet While Seated shall be Model B-30929 (or B-30929.MBLK) of Bobrick Washroom Equipment, Inc., Clifton Park, New York; Jackson, Tennessee; Los Angeles, California; Bobrick Washroom Equipment Company, Scarborough, Ontario; Bobrick Washroom Equipment Pty. Ltd., Australia; and Bobrick Washroom Equipment Limited, United Kingdom.