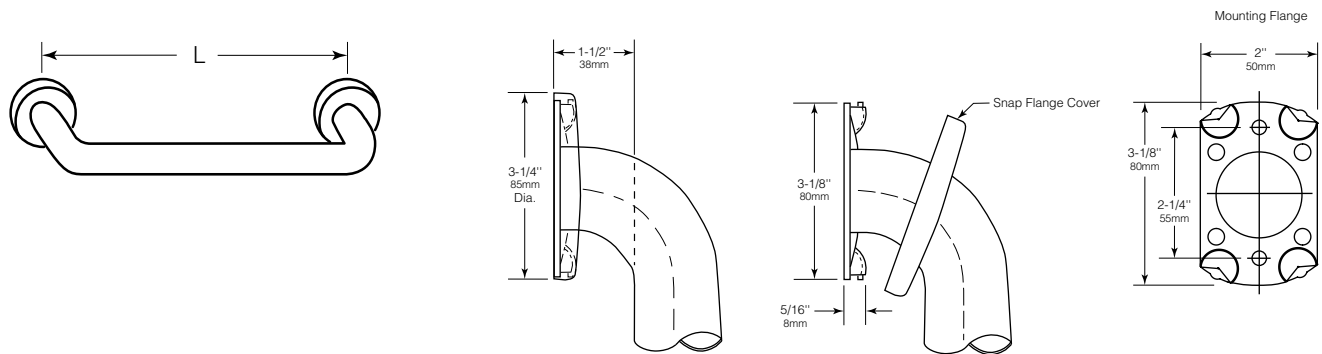


**1" (25mm)
STRAIGHT GRAB BAR
WITH SNAP FLANGE**

**100S
SERIES**



Model No.	Bar Length L
100S x 18	18" (455mm)
100S x 24	24" (610mm)

MATERIALS:

Tubing — Fabricated of type 304 stainless steel. Exposed surfaces polished to a #4 satin-finish.

Snap Flange Covers — 18-8, type-304, 22-gauge (0.8mm) drawn stainless steel with bright polish finish. 3-1/4" (85mm) diameter x 5/8" (16mm) deep. Each cover snaps over mounting flange to conceal mounting screws.

INSTALLATION:

Grab bars that provide 1-1/2" (38mm) clearance from wall can support loads in excess of 900 pounds (408kg) if properly installed. Other grab bar configurations can support loads in excess of 250 pounds (113kg) if properly installed, complying with accessible design (including ADAAG in the U.S.A.) for structural strength.

Safety Warning: Grab bars are no stronger than the anchors and walls to which they are attached and, therefore, must be firmly secured in order to support the loads for which they are intended.

To avoid potential injury, the building owner or maintenance personnel should remove the grab bar from service if the grab bar is not adequately secured to wall or if there is any observed damage to the weld.

SPECIFICATION:

Grab bars have been designed and tested to withstand 900 lbs. downward pull when properly installed. This exceeds HUD, HEW, FHA, VA, and other Federal, State, and local codes, including the Americans with Disabilities Act (ADA). Dimensions are measured from center-line to center-line of tubing, unless noted on grab bar application by circle dimensions which are from center-line of tubing to wall.

100S Series Snap Flange Grab Bar shall be Model _____ (insert model number) of GAMCO Commercial Restroom Accessories, One Gamco Place, Durant, OK, 74701-1910