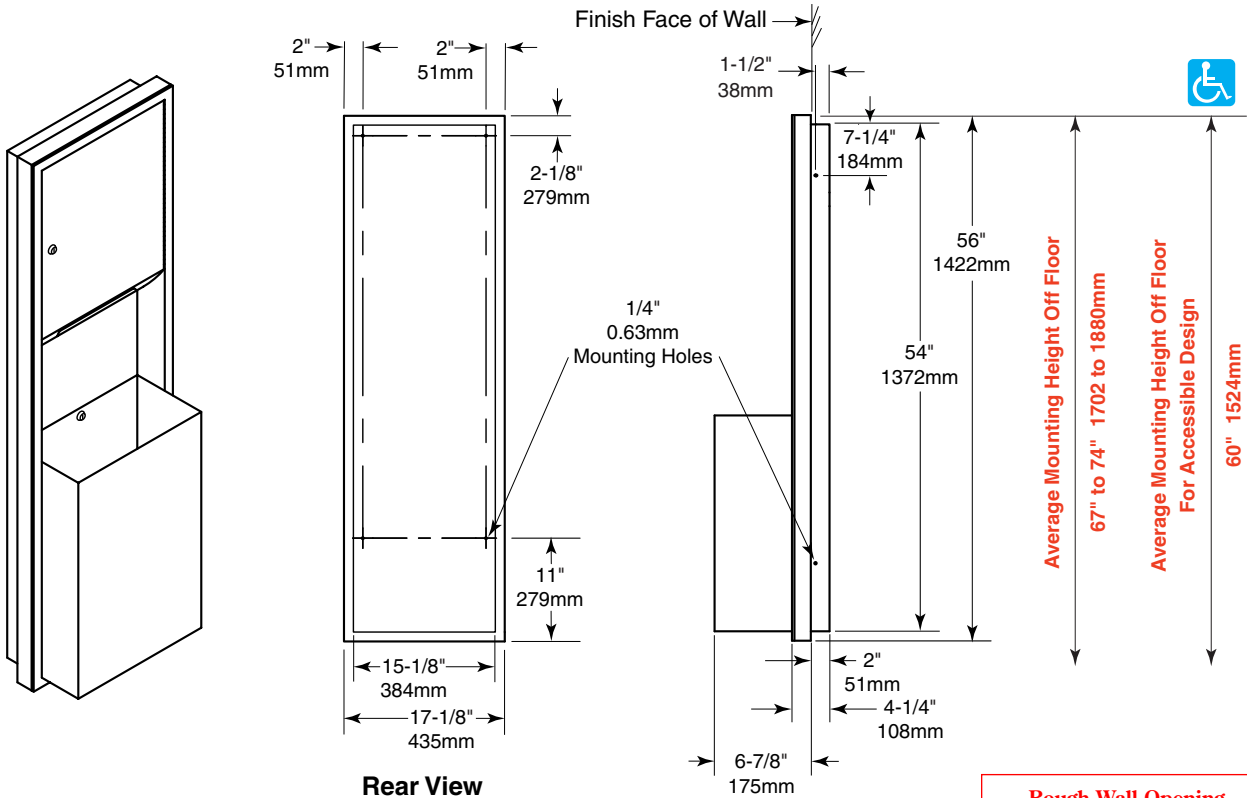


Date:

Project Name:



**Rough Wall Opening**

15-3/4" (400mm) Wide  
54-3/4" (1390mm) High  
2" (51mm) minimum  
recessed depth

**CONSTRUCTION:**

Fabricated type 304 stainless steel. All welded construction with exposed surfaces having a #4 satin-finish. One piece seamless 22-gauge (0.8mm) flange provided with 1/4" (102mm) return for rigidity. EXTRA HEAVY 18-gauge (1.2mm) door, warp free, hung on continuous stainless steel piano-hinge, and fitted with tumbler lock, keyed alike to match all other Gamco accessories. Waste receptacle is 22-gauge (0.8mm) and secured to cabinet with tumbler lock and is removable for servicing; top and bottom edges hemmed for safe handling.

**CAPACITY:**

600 C-fold, or 800 multi-fold towels. Waste receptacle is 12-gallons (45.4-L) capacity.

**OVERALL DIMENSIONS:**

17-1/8" W x 56" H x 8-7/8" D (435 x 1422 x 225mm)

**Semi-Recessed Towel and Waste Receptacle Combination shall be Model TW-1F of Gamco Commercial Restroom Accessories, One Gamco Place, Durant, OK, 74701-1910**