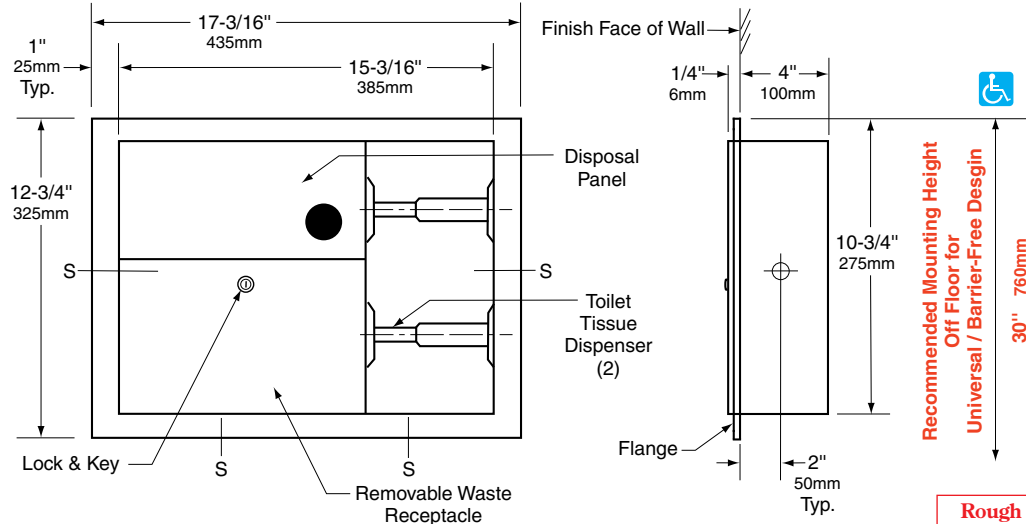


TSC-7F with 2" (51mm) skirt for semi-recessing
TSC-7FS with 4" (102mm) skirt for surface-mounting



MATERIALS:

Cabinet — 18-8, type-304, heavy-gauge stainless steel. All-welded construction.

Flange — 18-8, type-304, 22-gauge (0.8mm) stainless steel with satin finish, one-piece, seamless construction, with 1/4" (6mm) return for rigidity.

Disposal Panel — 18-8, type-304, 22-gauge (0.8mm) stainless steel with satin finish. Self-closing panel is secured to cabinet with a spring-loaded, full-length stainless steel piano-hinge and equipped with an international graphic symbol identifying napkin disposal.

Waste Receptacle — 18-8, type-304, 22-gauge (0.8mm) stainless steel with satin finish. Equipped with a tumbler lock keyed. Capacity: 3/4-gal. (2.8-L).

Toilet Tissue Dispensers (2) — 18-8, type-304, 22-gauge (0.8mm) stainless steel with satin finish. Equipped with two chrome-plated plastic spindles, each with a heavy-duty internal spring.

Available in stainless steel only. For all other materials/finishes/colors see TSC-7-____

OPERATION:

Unit holds two standard-core toilet tissue rolls up to 5-1/4" (135mm) diameter (1800 sheets). Receptacle unlocks with key provided and slides out for servicing.

INSTALLATION:

Provide framed rough wall opening 15-5/8" wide x 11-1/4" high (395 x 285mm). Minimum recessed depth required from finish face of wall is 4" (100mm). Allow clearance for construction features that may protrude into rough wall opening from opposite wall. Coordinate with mechanical engineer to avoid pipes, vents, and conduits. Mount cabinet with shims between framing and cabinet at all points indicated by an S, then secure unit with sheet-metal screws furnished by manufacturer.

SPECIFICATION:

Recessed sanitary napkin disposal and toilet tissue dispenser shall be type-304 stainless steel with all-welded construction; exposed surfaces shall have satin finish. Flange shall be one-piece, seamless construction, with 1/4" (6mm) return for rigidity. Self-closing disposal panel shall be secured to cabinet with a spring-loaded, full-length stainless steel piano-hinge and equipped with an international graphic symbol identifying napkin disposal. Removable waste receptacle shall be equipped with a tumbler lock keyed and shall have a minimum capacity of 3/4-gal. (2.8-L). Unit shall be equipped with two chrome-plated plastic toilet tissue spindles that hold standard-core rolls up to 5-1/4" (135mm) diameter (1800 sheets).

Recessed Sanitary Napkin Disposal and toilet Tissue Dispenser shall be Model TSC-7 of Gamco Commercial Restroom Accessories, One Gamco Place, Durant, OK, 74701-1910